

G5 M20A Proportional Receiver

Product description

- Receiver for the Pocket or Rocket Transmitters.
- 12 or 24 VDC supply.
- 14 digital in- or outputs.
- 5 digital outputs.
- 2 proportional outputs
- E-Stop output, active when system is operational.
- Radio communication at 2.4 GHz (ISM-band) using frequency jumping technology.
- Programmable logic offering block-, latching-, delaytime functions and many more.
- Note that cables or connectors are not included in delivery.

Illustration

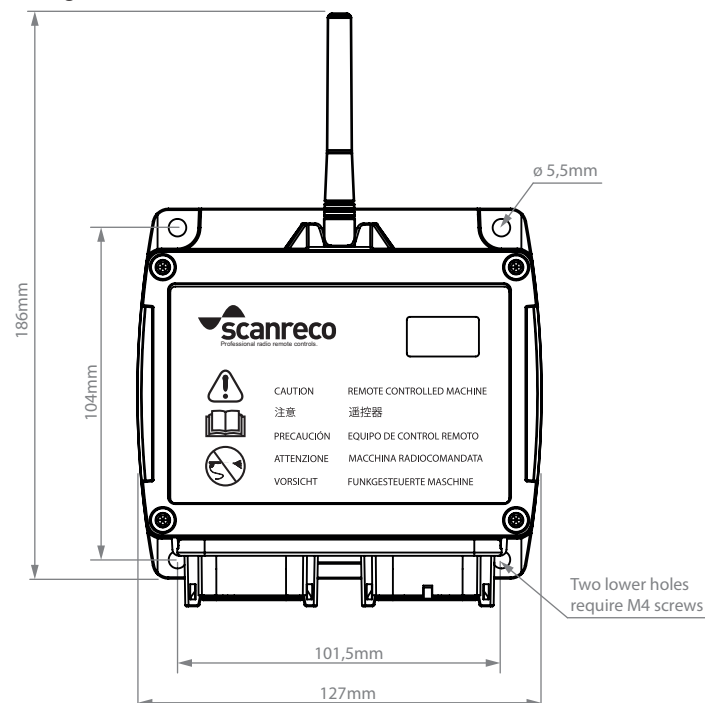


Technical data

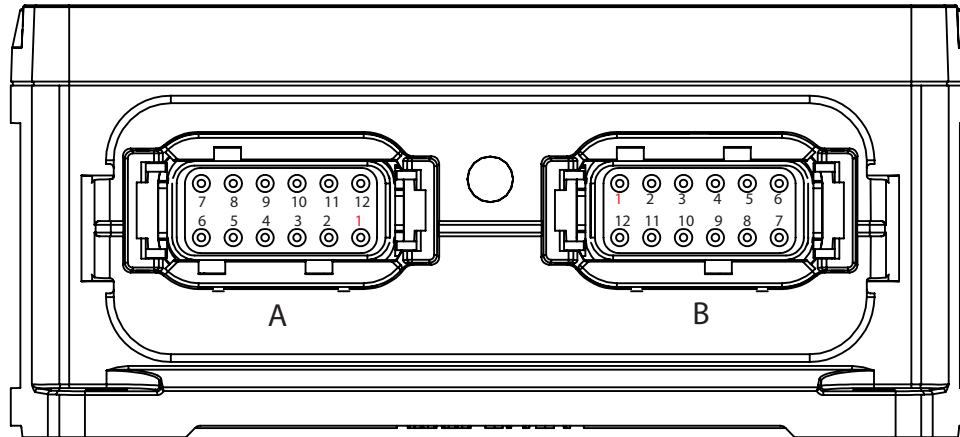
Platform	G5																						
Power Supply	9-36 VDC																						
IP-Class	IP67																						
Connector Interface	2 x 12 pin Deutsch connectors																						
Programming interface	RS232																						
Overload Protection	Yes, maximum 36 VDC																						
Current consumption	<30 mA (idle) 60 mA + External loads in operation																						
Digital Inputs	14 (can also be used as digital outputs) Do not exceed supply voltage.																						
Digital Outputs	19 MOSFET driven outputs, Short circuit proof, overload protected.																						
Proportional PWM output	Maximum source current = 2,5A Selectable frequency => 50Hz, 75Hz, 100Hz or 200Hz.																						
Proportional Voltage output	Maximum source current = 20mA Output voltage range 0V to supply voltage -2.0V																						
E-Stop Output	Active when system is operational, short circuit proof, overload protected.																						
Max output load	3A/output, 5A/bank, 10A/system																						
	<table border="1"> <thead> <tr> <th>Bank</th> <th>1</th> <th>2</th> <th>3</th> <th>4</th> <th>5</th> <th>6</th> <th>7</th> <th>8</th> <th>9</th> <th>10</th> </tr> </thead> <tbody> <tr> <td>Output</td> <td>1,Estop</td> <td>2,3</td> <td>4,5</td> <td>6,16</td> <td>7,9</td> <td>8,10</td> <td>11,12</td> <td>13,17</td> <td>18,19</td> <td>14,15</td> </tr> </tbody> </table>	Bank	1	2	3	4	5	6	7	8	9	10	Output	1,Estop	2,3	4,5	6,16	7,9	8,10	11,12	13,17	18,19	14,15
Bank	1	2	3	4	5	6	7	8	9	10													
Output	1,Estop	2,3	4,5	6,16	7,9	8,10	11,12	13,17	18,19	14,15													
Housing screw torque	0.8 Nm																						
Radio Module	TR05 Integrated duplex radio ISM-band, FCC and IC approved. (Not CE approved)																						

Dimensions

WxHxD	127 x 186 x 57 mm (including antenna)	~ 5.0 x 7.3 x 2.2 in (including antenna)
Weight	0.5 kg	~ 1.10 lbs



Pin assignments



Deutsch A

Pin1	Output/input 16
Pin2	Output/input 15
Pin3	GND
Pin4	Output/input 14
Pin5	EStop
Pin6	Power Supply+
Pin7	Output 1
Pin8	Output 2
Pin9	Output 3
Pin10	Output 5
Pin11	Output 4
Pin12	Output/input 6

Deutsch B

Pin1	Output/input 7
Pin2	Output/input 8
Pin3	Output/input 9
Pin4	Output/input 10
Pin5	Output/input 11
Pin6	Output/input 12
Pin7	Voltage output
Pin8	Current output
Pin9	Output/input 13
Pin10	Output/input 17
Pin11	Output/input 18
Pin12	Output/input 19

Order information

Part number	In-/Output	Output	Configuration
5013	14	7	Delivered with default program settings

If software required please state application file on the order. For instance 5013p1252 or 5013ou1356.