

G5 Receiver MOSFET

Product description

- Receiver for the Pocket or Rocket Transmitters.
- 12 or 24 VDC supply.
- 14 digital in- or outputs.
- 5 digital outputs.
- E-Stop output, active when system is operational.
- Radio communication at 2.4 GHz (ISM-band) using frequency jumping technology.
- Programmable logic offering block-, latching-, delaytime functions and many more.
- Note that cables or connectors are not included in delivery.

Illustration

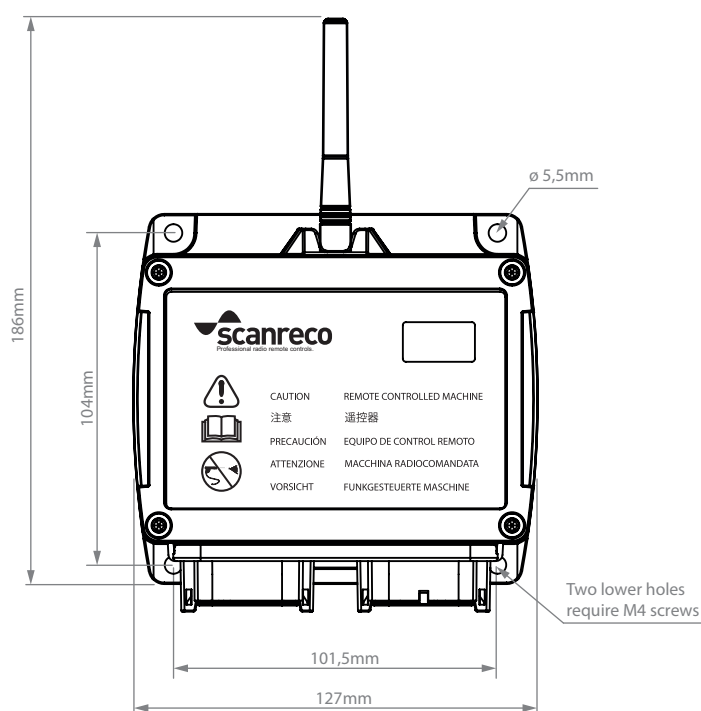


Technical data

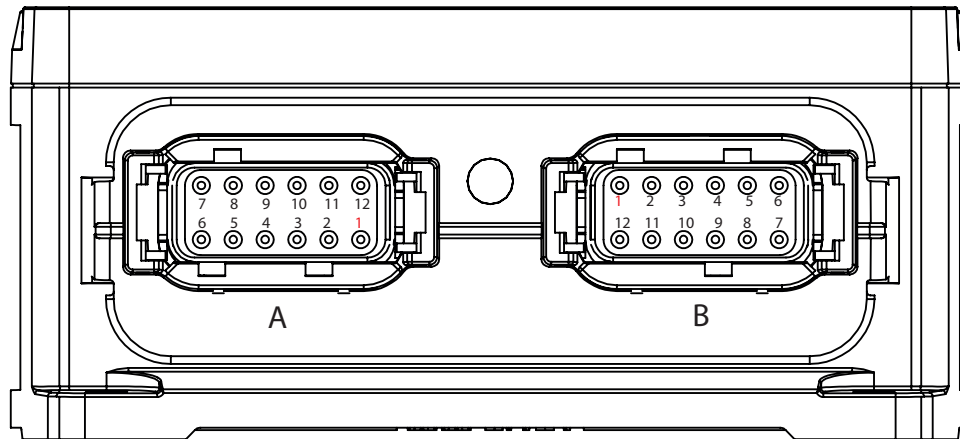
Platform	G5																						
Power Supply	9-36 VDC																						
IP-Class	IP67																						
Connector Interface	2 x 12 pin Deutsch connectors																						
Programming interface	RS232																						
Overload Protection	Yes, maximum 36 VDC																						
Current consumption	<30 mA (idle) 60 mA + External loads in operation																						
Digital Inputs	14 (can also be used as digital outputs) Do not exceed supply voltage.																						
Digital Outputs	19 MOSFET driven outputs, Short circuit proof, overload protected.																						
E-Stop Output	Active when system is operational, short circuit proof, overload protected.																						
Max output load	3A/output, 5A/bank, 10A/system																						
	<table border="1"> <thead> <tr> <th>Bank</th> <th>1</th> <th>2</th> <th>3</th> <th>4</th> <th>5</th> <th>6</th> <th>7</th> <th>8</th> <th>9</th> <th>10</th> </tr> </thead> <tbody> <tr> <td>Output</td> <td>1,Estop</td> <td>2,3</td> <td>4,5</td> <td>6,16</td> <td>7,9</td> <td>8,10</td> <td>11,12</td> <td>13,17</td> <td>18,19</td> <td>14,15</td> </tr> </tbody> </table>	Bank	1	2	3	4	5	6	7	8	9	10	Output	1,Estop	2,3	4,5	6,16	7,9	8,10	11,12	13,17	18,19	14,15
Bank	1	2	3	4	5	6	7	8	9	10													
Output	1,Estop	2,3	4,5	6,16	7,9	8,10	11,12	13,17	18,19	14,15													
Housing screw torque	0.8 Nm																						
Radio Module	TR05 Integrated duplex radio ISM-band, R&TTE, FCC and IC approved																						
Ambient Temperature	-25°C to +70°C ~ -15°F to +160°F																						

Dimensions

WxHxD	127 x 186 x 57 mm (including antenna)	~ 5.0 x 7.3 x 2.2 in (including antenna)
Weight	0.5 kg	~ 1.10 lbs



Pin assignments



Deutsch A

Pin1	Output/input 16
Pin2	Output/input 15
Pin3	GND
Pin4	Output/input 14
Pin5	EStop
Pin6	Power Supply+
Pin7	Output 1
Pin8	Output 2
Pin9	Output 3
Pin10	Output 5
Pin11	Output 4
Pin12	Output/input 6

Deutsch B

Pin1	Output/input 7
Pin2	Output/input 8
Pin3	Output/input 9
Pin4	Output/input 10
Pin5	Output/input 11
Pin6	Output/input 12
Pin7	RS232 TX
Pin8	RX232 RX
Pin9	Output/input 13
Pin10	Output/input 17
Pin11	Output/input 18
Pin12	Output/input 19

Order information

Part number	In-/Output	Output	Configuration
5001	14	5	Delivered with default program settings

If software required please state application file on the order. For instance 5001p1252 or 5001ou1356.